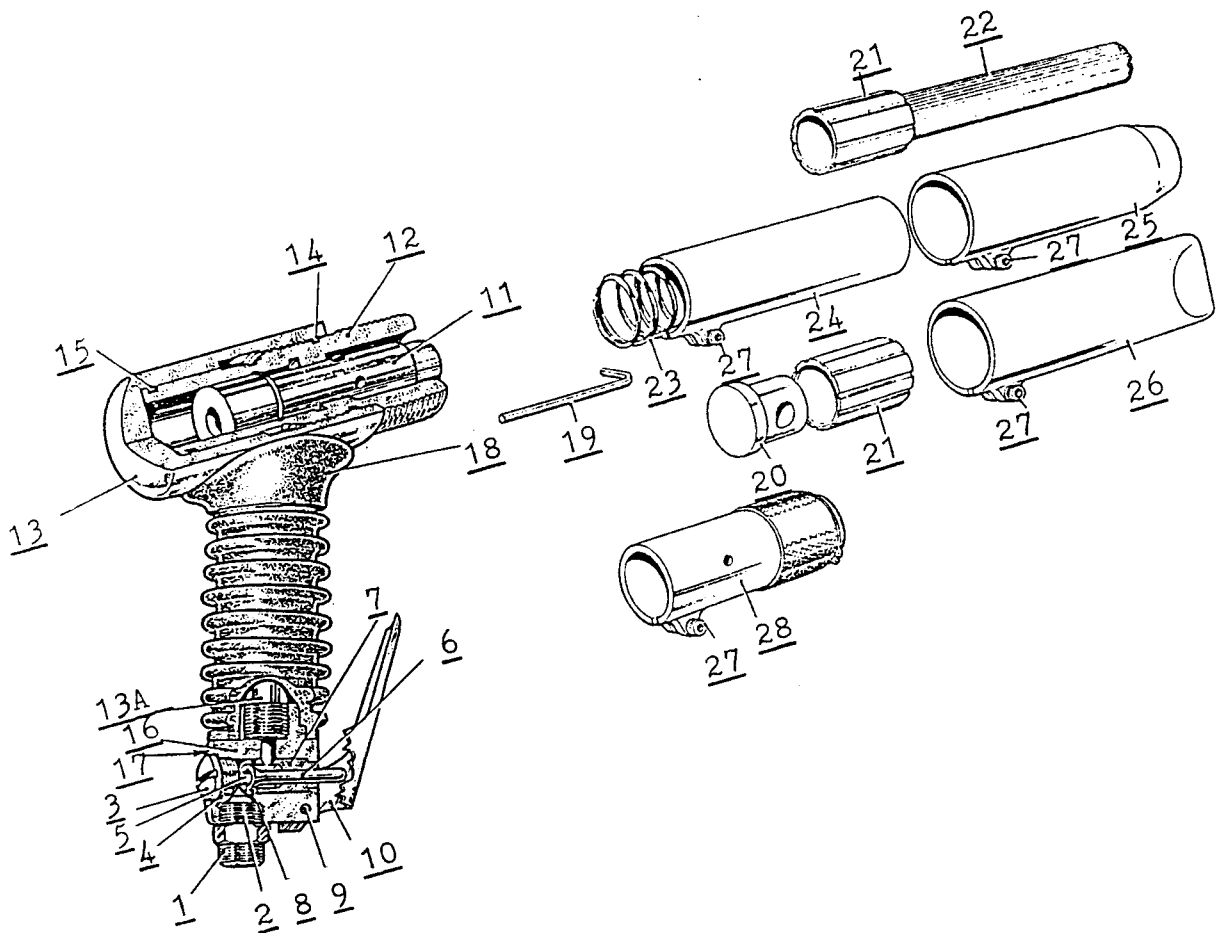




Rr Industrial Tools

# Needle Scaler - Type RRI-4006

● EXPLODED VIEW





# Rr Industrial Tools

## ● PARTS LIST

Index No.	Part No.	Description	Q'ty	Index No.	Part No.	Description	Q'ty
1	201PG	Reducing Nipple	1	17	249PG	Valve Assy (incl. 1-10 & 16)	1
2	202PG	Washer	1	18	250PG	Rubber Handle Grip	1
3	204PG	Valve Cap	1	19	231	Allen Key	1
4	205PG	O-ring	1	20	216	Anvil	1
5	206PG	Valve Spring	1	21	218	Needle Holder 2mm.	1
6	207PG	Valve Stem	1		217	Needle Holder 3mm.	1
7	208PG	Guide Bush	1		<del>244</del>	<del>Needle Holder 4mm.</del>	<del>1</del>
8	209PG	Valve Seat Rubber	1	22	*	2 mm. Needle, blunt	51
10	211PG	Operating Lever	1		*	3 mm. Needle, blunt	19
11	215PG	Piston	1		*	<del>4 mm. Needle, blunt</del>	<del>10</del>
12	244PG	Body	1	23	219	Return Spring	1
13	245PG	Casing Assembly (incl. index 13A)	1	24	220	Intermediate Tube	1
14	246PG	O-ring	1	25	221	Round Front Tube	1
15	247PG	O-ring	1	26	222	Straight Front Tube	1
16	248PG	Valve Body	1	27	223	Allen Screw	2
9	210PG	Pin.		28	227	Chisel Holder	1

\* Needles 2 mm, 3 mm and 4 mm are also available with chisel head.