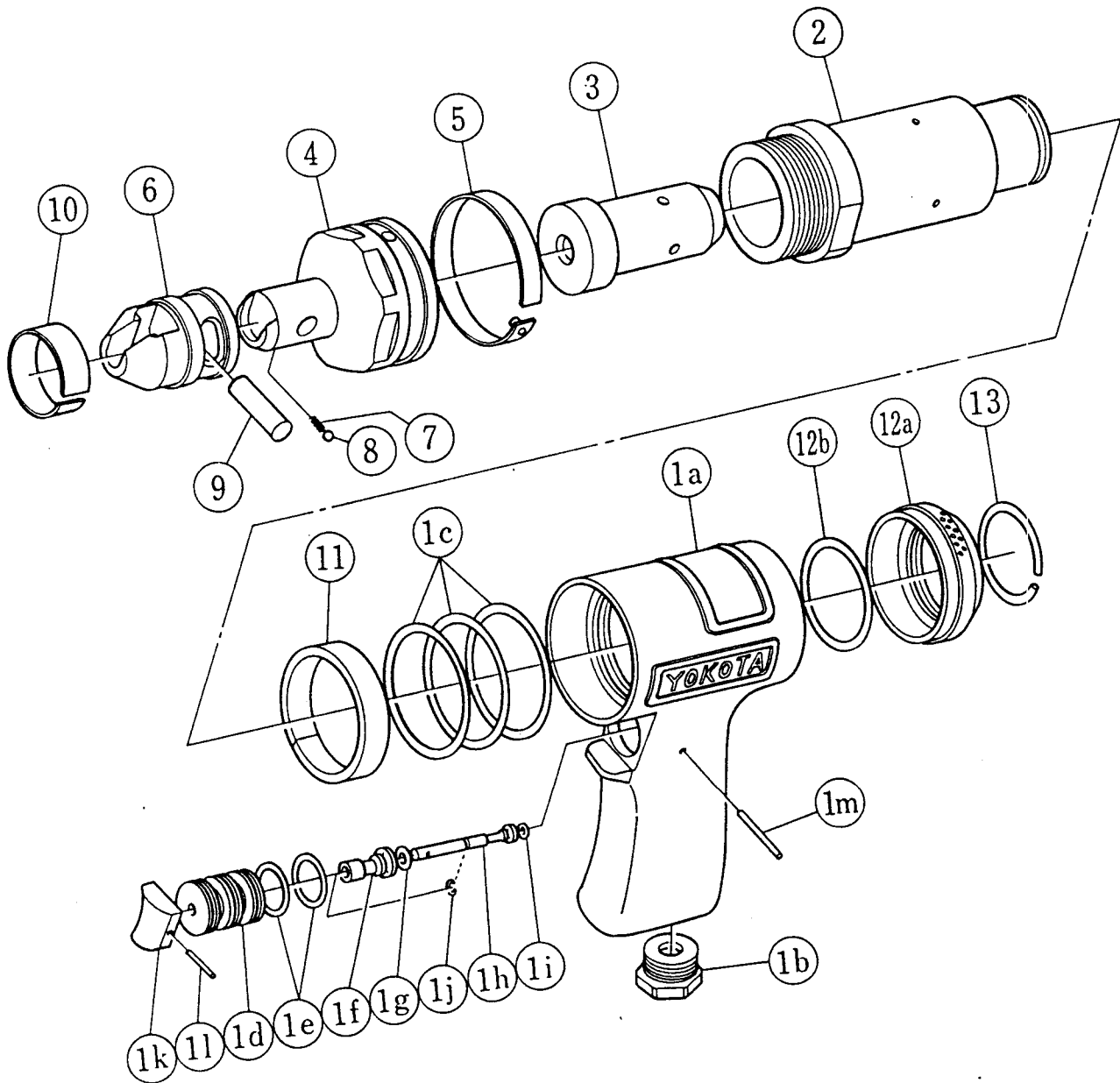


DOWEL PIN PULLERS

MODEL (YES.NO.)	TOOL NO.
YDP - 13 (00)	6502 0000 00 00

EXPLODED VIEW



YOKOTA EUROPA BV

P.O. BOX 392 NL - 1000 AJ AMSTERDAM PHONE 020 - 625 29 53 FAX 020 - 625 35 69

Hydraulic Impulse Wrenches, Impact Wrenches, Drills, Grinders, Screwdrivers, Chippers, Scalars, Pumps.

DOWEL PIN PULLERS

MODEL (YES.NO.)	TOOL NO.
YDP - 13 (00)	6502 0000 00 00

PARTS LIST

No.	Name of Parts	Per Set	Parts No.	No.	Name of Parts	Per Set	Parts No.
1	Handle Assy.	1set	6502 0002 00 99				
	(a) Handle	1	6502 0002 00 00	Standard Accessories			
	(b) Hose Joint	1	4008 0113 00 00		Hanger Bolt (M4 × 50L)	1	6502 0022 00 17
	(c) "O"Ring (P40)	1	9010 1029 00 00		Hanger Bolt (M5 × 50L)	1	6502 0022 00 13
	Throttle Bushing Assy.	1set	6502 0104 00 99		Hanger Bolt (M6 × 50L)	1	6502 0022 00 09
	(d) Throttle Bushing	1	※ ↑	Optional Parts			
	(e) "O"Ring (N15)	2	9010 4008 00 00		Hanger Bolt (M8 × 29L)	1	6502 0022 00 01
	Throttle Rod Bushing Assy.	1set	0117 0105 00 99		Hanger Bolt (M6 × 23L)	1	6502 0022 00 02
	(f) Throttle Rod Bushing	1	※ ↑		Hanger Bolt (M5 × 21L)	1	6502 0022 00 03
	(g) "O"Ring (No.3)	1	9010 3003 00 00		Hanger Bolt (M4 × 21L)	1	6502 0022 00 04
	Throttle Rod Assy.	1set	2058 0106 00 99		Hanger Bolt (M8 × 50L)	1	6502 0022 00 05
	(h) Throttle Rod	1	※ ↑		Hanger Bolt (M8 × 100L)	1	6502 0022 00 06
	(i) "O"Ring (N2)	1	9010 4001 00 00		Hanger Bolt (M8 × 150L)	1	6502 0022 00 07
	(j) Snap Ring (ETW - 2.8)	1	9040 5008 00 00		Hanger Bolt (M8 × 200L)	1	6502 0022 00 08
	(k) Throttle Knob	1	2024 0153 00 00		Hanger Bolt (M6 × 100L)	1	6502 0022 00 10
(l) Spring Roll Pin (1.5 × 14)	1	9250 1005 00 00		Hanger Bolt (M6 × 150L)	1	6502 0022 00 11	
(m) Pin (3 × 24)	1	8410 6024 00 00		Hanger Bolt (M6 × 200L)	1	6502 0022 00 12	
2	Cylinder Body	1	6502 0808 00 00		Hanger Bolt (M5 × 100L)	1	6502 0022 00 14
3	Piston	1	6502 0809 00 00		Hanger Bolt (M5 × 150L)	1	6502 0022 00 15
4	Cylinder Cap	1	6502 0801 00 00		Hanger Bolt (M5 × 200L)	1	6502 0022 00 16
5	Cylinder Cap Cover	1	6301 0802 00 00		Hanger Bolt (M4 × 100L)	1	6502 0022 00 18
6	Holder	1	6502 0717 00 00		Hanger Bolt (M4 × 150L)	1	6502 0022 00 19
7	Spring (3 × 10)	1	8020 1004 00 00		Hanger Bolt (M4 × 200L)	1	6502 0022 00 20
8	Ball (M3)	1	9150 1003 00 00				
9	Guide Pin	1	6502 0787 00 00				
10	Stop Band	1	6502 0234 00 00				
11	Rubber Plate	1	6502 0047 00 00				
12	Exhaust Cover Assy.	1set	6502 0016 00 99				
	(a) Exhaust Cover	1	※ ↑				
	(b) "O"Ring (N32)	1	9010 4014 00 00				
13	Retaining Ring (29.5 × 2)	1	8030 1063 00 00				

The part marked "※" can not be supplied individually. So please order it as a unit of assembly shown by arrow mark (↑).



YOKOTA EUROPA BV

P.O. BOX 392 NL - 1000 AJ AMSTERDAM PHONE 020 - 625 29 53 FAX 020 - 625 35 69

Hydraulic Impulse Wrenches, Impact Wrenches, Drills, Grinders, Screwdrivers, Chippers, Scalars, Pumps.