

UP10 Metallic PIVOT SERIES



1"
**Air-Operated
Double Diaphragm Pump**

METALLIC
UP10

PIVOT
S E R I E S
UNIVERSAL DESIGN

 **SAMOA**
LEADING THROUGH INNOVATION

UP10 - PIVOT Series

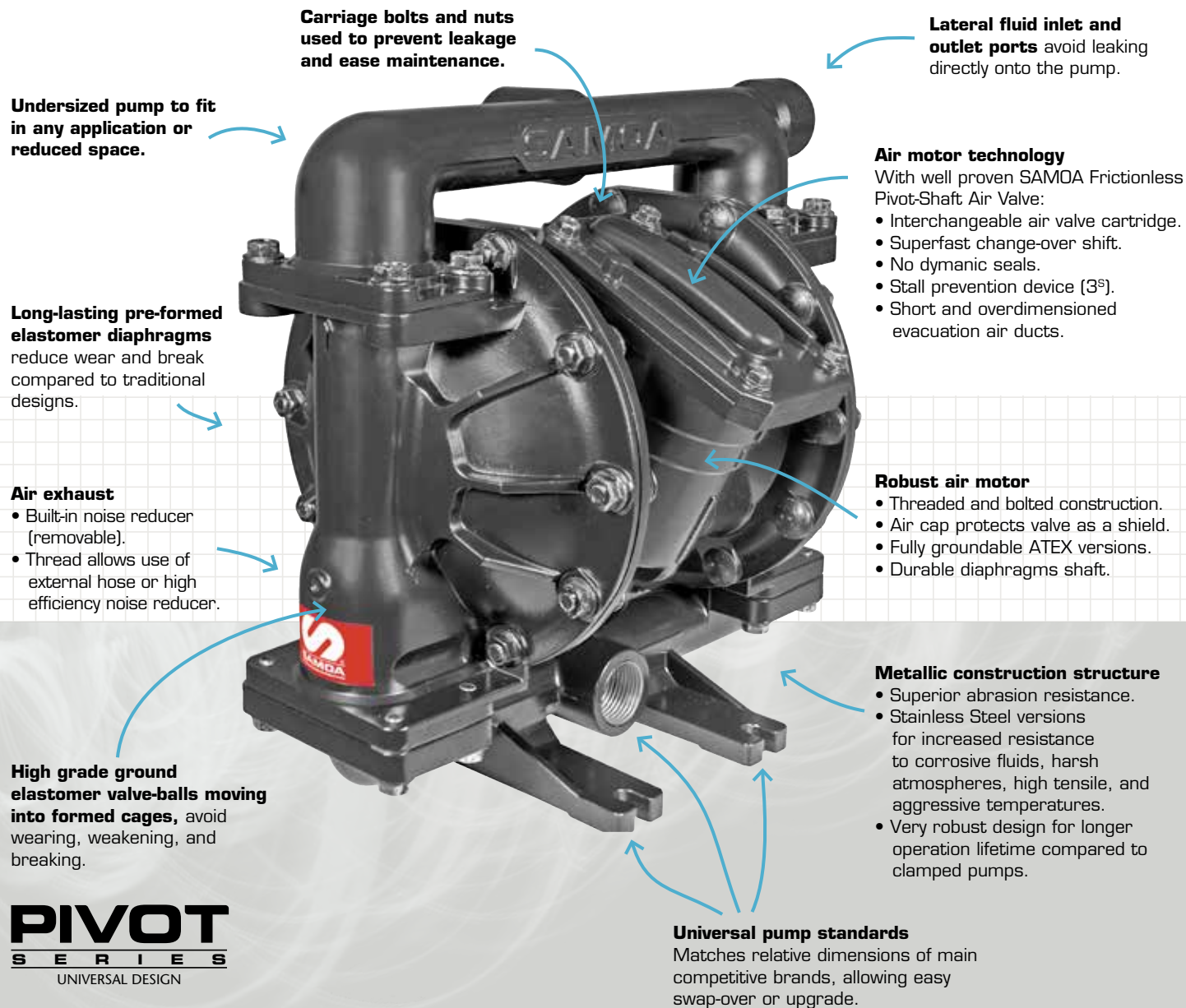
1" Air-operated double diaphragm pump

200 l/min
53 gal/min

The new SAMOA UP10 pump combines a Universal design with a unique frictionless Pivot-Shaft Air Valve to provide maximum performance and **energy efficiency**, exceeding market expectations.

UP10 Metallic pumps make the difference through:

- **HIGHER EFFICIENCY.** Maximum fluid flow with reduced air consumption.
- **INCREASED RELIABILITY.** No stall, no icing, reliable start-up and longer air valve and diaphragms life.
- **MAXIMUM VERSATILITY.** Aluminium and Stainless Steel pumps with a wide range of diaphragms, seats and balls options offer broad fluid and application compatibility. Highly suitable for outdoors and general applications with presence of abrasives.
- **EASY SERVICING.** Simplified maintenance and cleaning. The pump is held together by carriage bolts and nuts allowing to accomplish a much faster strip down and rebuild.
- **COMPACT DESIGN.**
- **CONNECTIVITY.** Can be configured to connect a Smart Pump-Controller System to actuate, control and monitor your pumps.



PIVOT
SERIES
UNIVERSAL DESIGN

Exclusive frictionless PIVOT-SHAFT Air Valve

3^s
Smooth-Start-Shifter



Incredibly fast changeover shift:

- Larger flow delivery.
- Smooth pump operation.
- Reduced flow pulsation.
- No pump vibration.
- Reduced air consumption.

Patented Smooth Start Shifter (3^s):

- Low-pressure start up.
- No stall operation.

Short and overdimensioned evacuation air ducts:

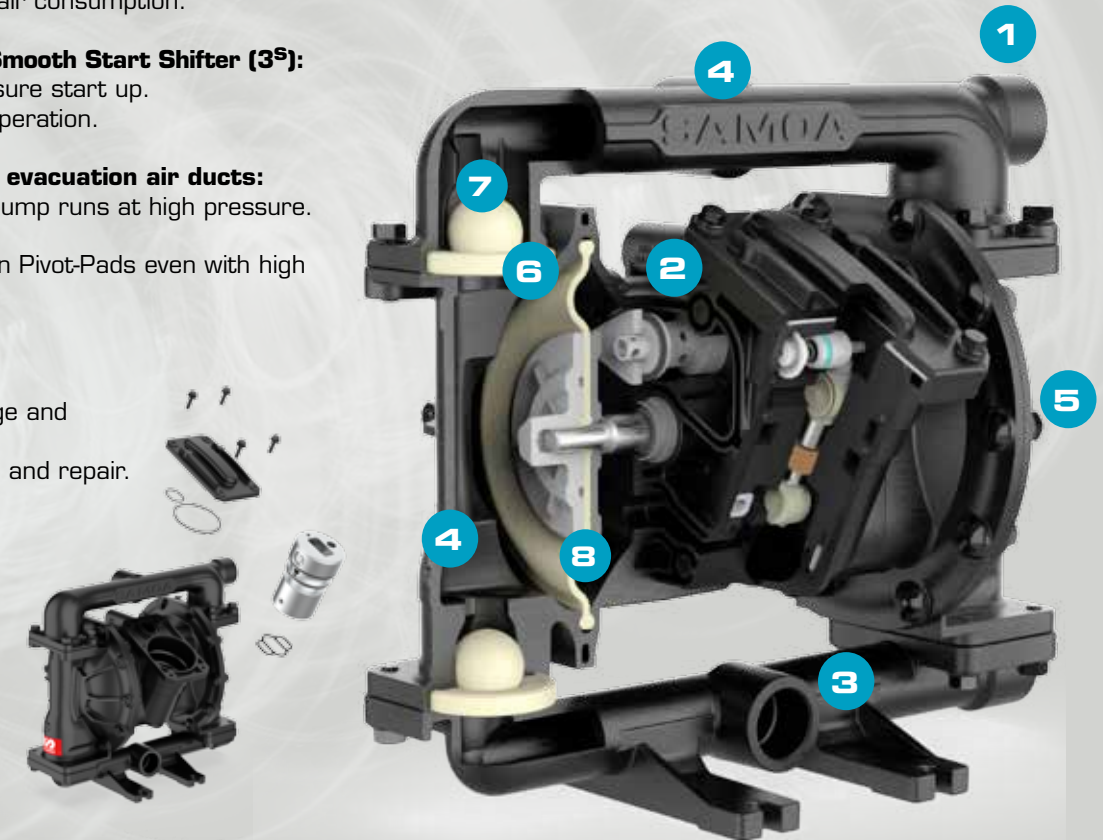
- No icing, even during long pump runs at high pressure.
- No whistle noise.
- Long-life shift and evacuation Pivot-Pads even with high operating pressure.

Modular air valve:

- Pivot-Shaft cartridge design
- Precision machined cartridge and Pivot-Shaft.
- Quick teardown for cleaning and repair.

No dynamic seals:

- No parts subject to wear.
- Reliably work with dry or humid air.
- No lubrication required.



AVAILABLE MATERIALS

SAMOA offers a wide range of material options for chemical compatibility and to withstand abrasion, temperature and fatigue caused by demanding conditions.

Example: **UP10X-XXX-XXX**

UP10X		XXX			XXX		
PUMP TYPE	AIR MOTOR	HOUSINGS			WETTED PARTS		
1 Pump Type & Size	2 Central Body & Air Chambers	3 Fluid Ports / Location Multiport manifolds: central and lateral	4 Fluid Chambers & Manifolds	5 Hardware Bolts	6 Valve Seats	7 Valve Balls	8 Diaphragms Type & Material
UP10 Universal Pump (Bolted)	ATEX Certified A* = Aluminium B* = Conductive Polypropylene (black)	B = 1" BSP threaded ports N = 1" NPT threaded ports	ATEX Certified A* = Aluminium S* = AISI 316 Stainless Steel	C = Carbon Steel S = Stainless Steel	A = Aluminium H = Hytrel® M = Santoprene® N = Nitrile (Buna-N) S = AISI 316 Stainless Steel V = FKM (Viton®)	H = Hytrel® M = Santoprene® N = Nitrile (Buna-N) T = PTFE (Teflon®) V = FKM (Viton®)	A = Santoprene® C = Hytrel® G = Nitrile (Buna-N) V = FKM (Viton®) Two piece Z = PTFE (Teflon with Santoprene® backer)

* ATEX Certified pumps for use in hazardous locations ATEX Group II 2GDx.

Hytrel® is a registered trademark of the DuPont Company, Viton® & Teflon® of the Chemours Company and Santoprene® of the Monsanto Company, licensed for Advanced Elastomer Systems, L.P. Kynar® is a registered trademark of Arkema, Inc.

NO VIBRATION | PROVEN SUPERIOR PERFORMANCE | RELIABLE | DURABLE | LOWER CONSUMPTION | UNIVERSAL

Product pictures and specifications are subject to change without prior notice.

Contact us for more information about connected pumps' configuration.

METALLIC
UP10

UP10 - PIVOT Series

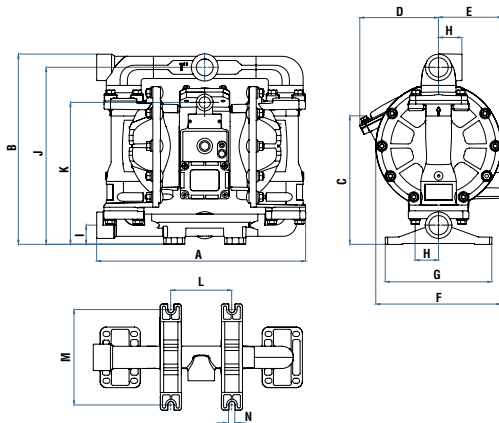
1" Air-operated double diaphragm pump

TECHNICAL DATA

	METALLIC UP10 - PIVOT SERIES
PRESSURE RATIO	1:1
MAXIMUM FREE DELIVERY	200 l/min (53 US gal/min)
AIR PRESSURE OPERATING RANGE	1,5 to 8 bar (20 to 120 psi)
MAX. SIZE SOLIDS IN SUSPENSION	6,4 mm (1/4")
MAXIMUM DRY SUCTION LIFT	5 m (16')
MAXIMUM WET SUCTION LIFT	8 m (26')
DISPLACEMENT PER CYCLE*	0,85 l (0,2gal)
FLUID INLET AND OUTLET CONNECTIONS (MULTIPOINTS)	1" NPT (F) - Threaded / 1" BSP (F) - Threaded
AIR INLET CONNECTION	1/2" NPSM (F)
AIR EXHAUST CONNECTION	1" NPT (F)
SOUND LEVEL	75 dB (A) @50 cycles/min @70 psi
WEIGHT: ALUMINIUM	Threaded
STAINLESS STEEL	11,5 kg (25 lb)
	17,5 kg (38.6 lb)

* Delivery per cycle depends on the diaphragms material, air inlet pressure and fluid viscosity.

DIMENSIONS



DIMENSIONS (mm)

UP10 ALUMINIUM & STAINLESS STEEL PUMP

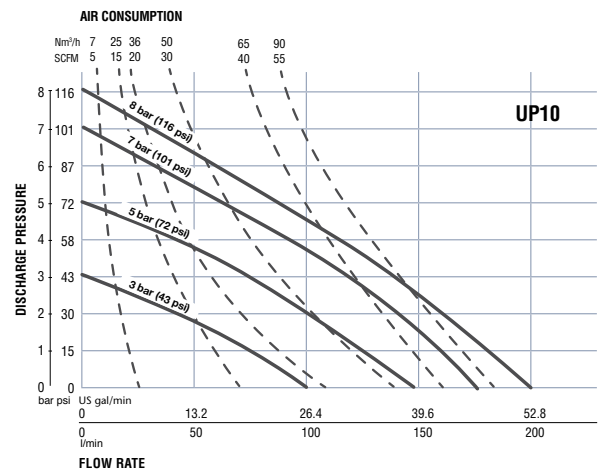
A	B	C	D	E	F	G	H	I	J	K	L	M	N
348	317	214	131	106	209	177	39	32	295	237	102	159	10

DIMENSIONS (inches)

UP10 ALUMINIUM & STAINLESS STEEL PUMP

A	B	C	D	E	F	G	H	I	J	K	L	M	N
13 45/64	12 31/64	8 27/64	5 5/32	4 11/64	8 15/64	6 31/32	1 17/32	1 17/64	11 39/64	9 21/64	4 1/64	6 17/64	15/64

PERFORMANCE CURVES



THREADED PUMPS



ALUMINIUM



STAINLESS STEEL

UP10
METALLIC



SAMOA INDUSTRIAL, S.A. - PROCESS DIVISION

Pol. Ind. Porceyo, I-14 • Camino del Fontán, 831
E-33392 Gijón (Asturias) SPAIN
Tel.: +34 985 381 488 - Fax: +34 985 147 213
flow@samoaindustrial.com • www.samoaindustrial.com



© Copyright, SAMOA Industrial, S.A.

SAMOA Industrial, S.A. is an ISO 9001, ISO 14001 and ISO 45001 certified company.