



JTM400000 - Mechanic's Detailing Seat

- **PREMIUM SWIVEL CASTERS WITH 2 LOCKS**
- **CARBON STEEL INNER FRAMING**
- **COMFORTABLE HEIGHT**
- **CRADLE STYLE SEATING**
- **ONBOARD STORAGE**
- **SEAT DIMENSIONS: 455 X 255 MM**



Specifications

Width = 422 mm

Length = 642 mm

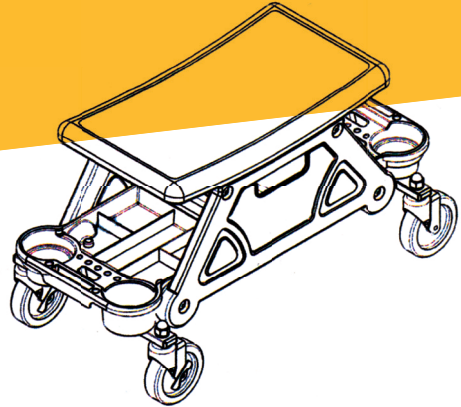
Height = 332 mm

 130 kg

 5,5 kg

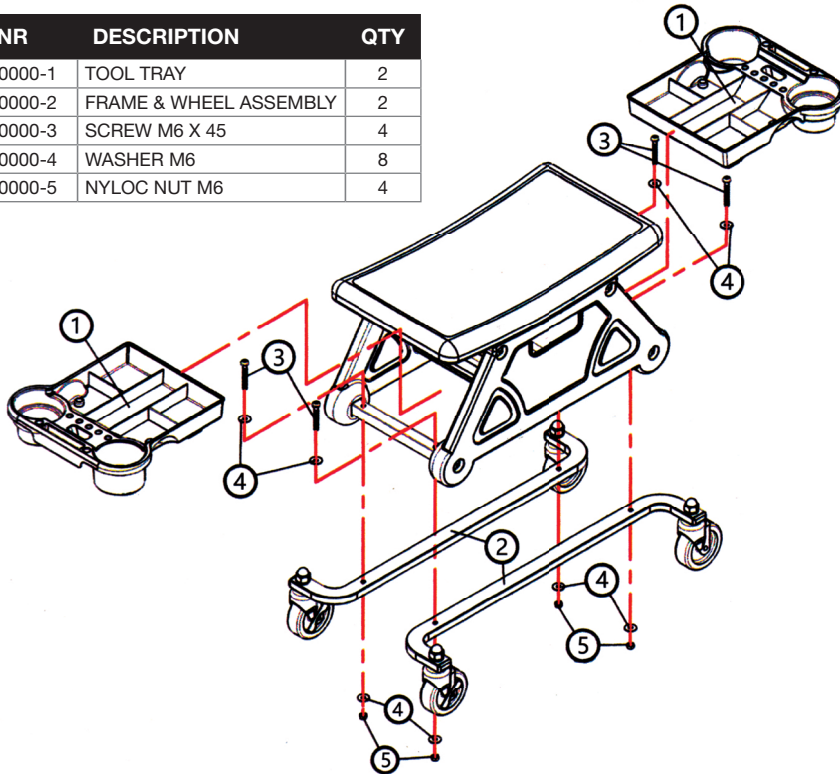
WINNTEC MOTION LINE

Winntec Europe Rechtsaad 6, 4703 RC Roosendaal, The Netherlands, +31 165 394 018, info@winntec.net winntec.net



Assembly instructions

ART NR	DESCRIPTION	QTY
JTM400000-1	TOOL TRAY	2
JTM400000-2	FRAME & WHEEL ASSEMBLY	2
JTM400000-3	SCREW M6 X 45	4
JTM400000-4	WASHER M6	8
JTM400000-5	NYLOC NUT M6	4



WINNTEC MOTION LINE

Winntec Europe Rechtzaad 6, 4703 RC Roosendaal, The Netherlands, +31 165 394 018, info@winntec.net winntec.net